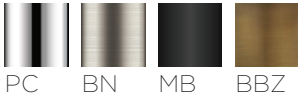


Neo™ Diverter Tub Spout

FEATURES:

- Diverter Tub Spout measures 5-3/4" in length
- Metal construction
- 1/2" copper slip fit connection
- Corrosion resistant finishes
- Coordinates with Neo Collection

STOCK FINISHES:



PC BN MB BBZ

SPECIALTY FINISHES:



ORB PB PN

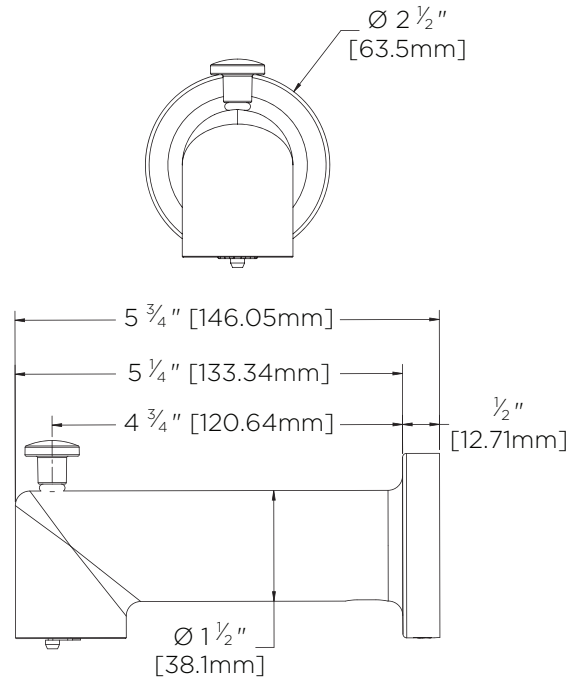
STANDARDS:

- ASME A112.18.1/CSA B125.1 certified

WARRANTY:

Visit www.speakman.com for full product warranty information

- Limited Lifetime Warranty (consumer)
- 5 Year Limited Warranty (commercial)



All dimensions are in inches (millimeters) unless otherwise specified and are subject to change without notice.

Architect/Engineer Approval Space:

P: 800-537-2107
 F: 800-977-2747
 W: WWW.SPEAKMAN.COM
 R: 04-AUGUST 2021